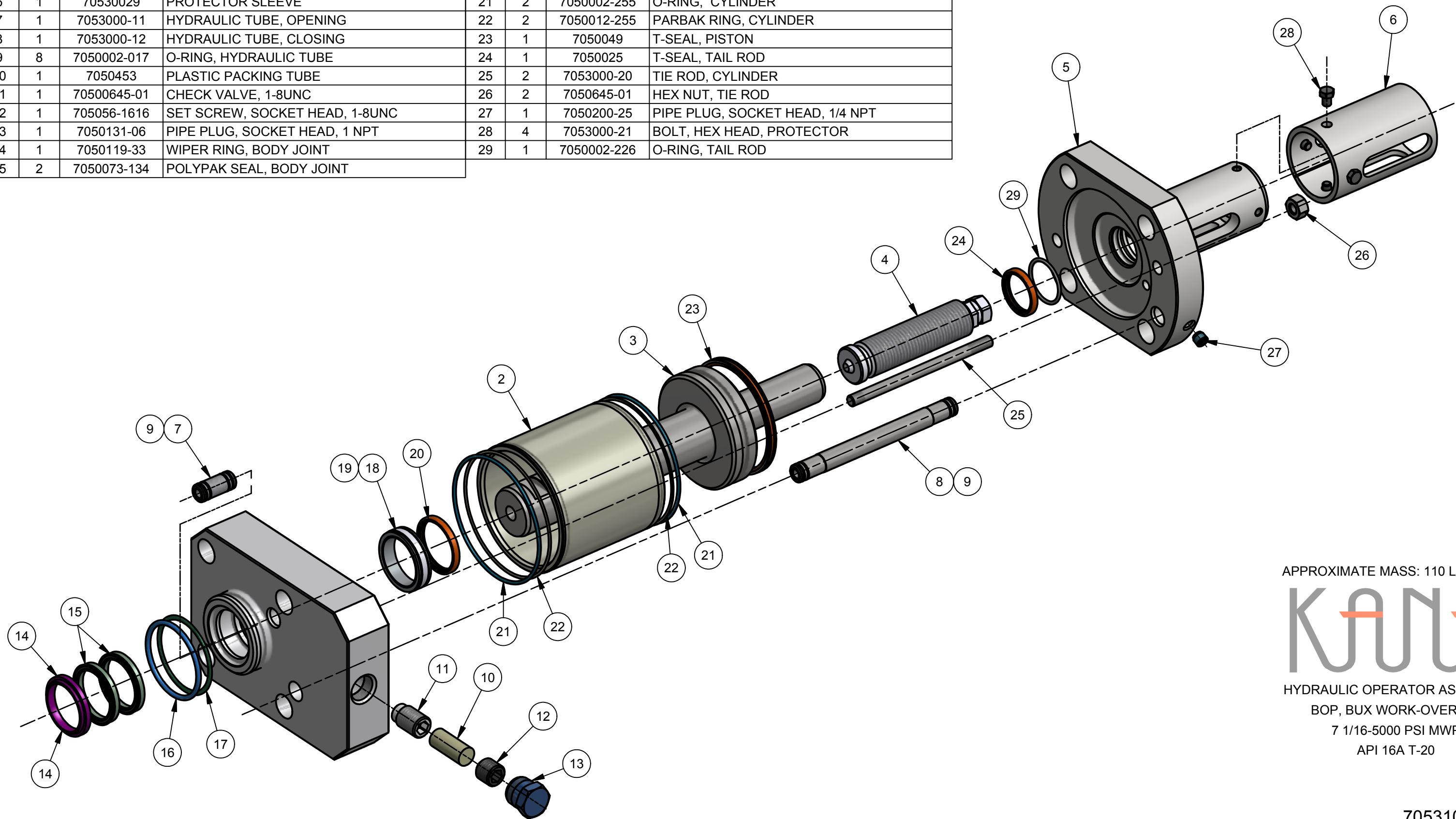


BILL OF MATERIAL				BILL OF MATERIAL			
ITEM	QTY	PART NUMBER	DESCRIPTION	ITEM	QTY	PART NUMBER	DESCRIPTION
1	1	7053000-06	HYDRAULIC OPERATOR BODY	16	1	7050002-339	O-RING, BODY JOINT
2	1	7053000-02	HYDRAULIC CYLINDER	17	1	7050012-339	PARBAK RING, BODY JOINT
3	1	7053000-01	HYDRAULIC PISTON	18	1	7050234-14	ENERGIZING RING
4	1	70530025	LOCKING SCREW	19	1	7050233-14	PACKING RING
5	1	7053000-03	END COVER	20	1	7050029	T-SEAL, PISTON ROD
6	1	70530029	PROTECTOR SLEEVE	21	2	7050002-255	O-RING, CYLINDER
7	1	7053000-11	HYDRAULIC TUBE, OPENING	22	2	7050012-255	PARBAK RING, CYLINDER
8	1	7053000-12	HYDRAULIC TUBE, CLOSING	23	1	7050049	T-SEAL, PISTON
9	8	7050002-017	O-RING, HYDRAULIC TUBE	24	1	7050025	T-SEAL, TAIL ROD
10	1	7050453	PLASTIC PACKING TUBE	25	2	7053000-20	TIE ROD, CYLINDER
11	1	70500645-01	CHECK VALVE, 1-8UNC	26	2	7050645-01	HEX NUT, TIE ROD
12	1	705056-1616	SET SCREW, SOCKET HEAD, 1-8UNC	27	1	7050200-25	PIPE PLUG, SOCKET HEAD, 1/4 NPT
13	1	7050131-06	PIPE PLUG, SOCKET HEAD, 1 NPT	28	4	7053000-21	BOLT, HEX HEAD, PROTECTOR
14	1	7050119-33	WIPER RING, BODY JOINT	29	1	7050002-226	O-RING, TAIL ROD
15	2	7050073-134	POLYPAK SEAL, BODY JOINT				

BILL OF MATERIAL				BILL OF MATERIAL			
ITEM	QTY	PART NUMBER	DESCRIPTION	ITEM	QTY	PART NUMBER	DESCRIPTION
16	1	7050002-339	O-RING, BODY JOINT	17	1	7050012-339	PARBAK RING, BODY JOINT
17	1	7050012-339	PARBAK RING, BODY JOINT	18	1	7050234-14	ENERGIZING RING
18	1	7050234-14	ENERGIZING RING	19	1	7050233-14	PACKING RING
19	1	7050233-14	PACKING RING	20	1	7050029	T-SEAL, PISTON ROD
20	1	7050029	T-SEAL, PISTON ROD	21	2	7050002-255	O-RING, CYLINDER
21	2	7050002-255	O-RING, CYLINDER	22	2	7050012-255	PARBAK RING, CYLINDER
22	2	7050012-255	PARBAK RING, CYLINDER	23	1	7050049	T-SEAL, PISTON
23	1	7050049	T-SEAL, PISTON	24	1	7050025	T-SEAL, TAIL ROD
24	1	7050025	T-SEAL, TAIL ROD	25	2	7053000-20	TIE ROD, CYLINDER
25	2	7053000-20	TIE ROD, CYLINDER	26	2	7050645-01	HEX NUT, TIE ROD
26	2	7050645-01	HEX NUT, TIE ROD	27	1	7050200-25	PIPE PLUG, SOCKET HEAD, 1/4 NPT
27	1	7050200-25	PIPE PLUG, SOCKET HEAD, 1/4 NPT	28	4	7053000-21	BOLT, HEX HEAD, PROTECTOR
28	4	7053000-21	BOLT, HEX HEAD, PROTECTOR	29	1	7050002-226	O-RING, TAIL ROD
29	1	7050002-226	O-RING, TAIL ROD				



APPROXIMATE MASS: 110 Lb (50 Kg)



HYDRAULIC OPERATOR ASSEMBLY
 BOP, BUX WORK-OVER, LH
 7 1/16-5000 PSI MWP
 API 16A T-20

7053100-06
 DOC NO.