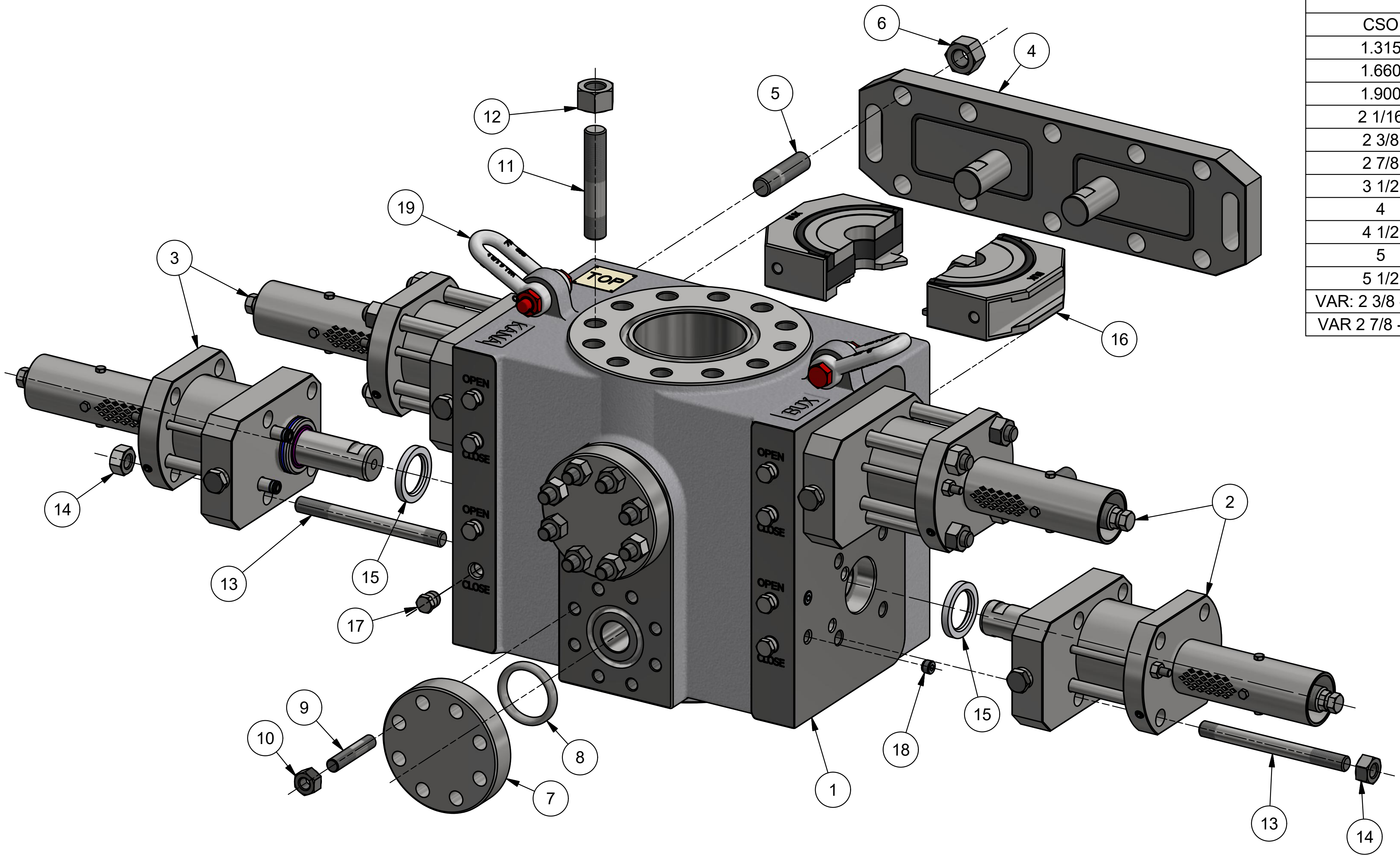


BILL OF MATERIAL			
ITEM	QTY	PART NUMBER	DESCRIPTION
1	1	7050200-01	BODY
2	2	7053100-06	HYDRAULIC OPERATOR ASSY, LH
3	2	7053100-07	HYDRAULIC OPERATOR ASSY, RH
4	2	7053000-08	PRESSURE DOOR ASSY
5	20	7053000-22	PAD STUD, 1 1/4-8UN-2A X 5 LG
6	20	7053000-23	HEAVY HEX NUT, 1 1/4-8UN-2B
7	2	9053000-100	FLANGE, BLIND, 2 1/16-5000
8	2	9053000-107	RING GASKET, API R-24
9	16	9053000-101	PAD STUD, 7/8-9UNC-2A X 4 5/8 LG
10	16	9053000-102	HEAVY HEX NUT, 7/8-9UNC-2B
11	24	7054000-005	PAD STUD, 1 3/8-8UN-2A X 7 3/8 LG
12	24	7054000-006	HEAVY HEX NUT, 1 3/8-8UN-2B
13	16	7053000-18	PAD STUD, 1-8UN-2A X 10 3/4 LG
14	16	7053000-19	HEAVY HEX NUT, 1-8UN-2B
15	4	7050002-01	BEARING RING
16	4	SEE NOTE 1	RAM ASSEMBLY
17	8	7050066-02	PIPE PLUG, HEX HEAD, 3/4 NPT
18	8	7050066-03	PIPE PLUG, SOCKET HEAD, 1/2 NPT
19	2	7050066-20	ANCHOR SHACKLE, 6 1/2 TON

RAM ASSEMBLY BY PIPE SIZE	
PIPE O.D.	PART NUMBER
CSO	7052000-01
1.315	7052000-02
1.660	7052000-03
1.900	7052000-04
2 1/16	7052000-05
2 3/8	7052000-06
2 7/8	7052000-07
3 1/2	7052000-08
4	7052000-09
4 1/2	7052000-10
5	7052000-11
5 1/2	7052000-12
VAR: 2 3/8 - 2 7/8	7052000-13
VAR 2 7/8 - 3 1/2	7052000-14



APPROXIMATE MASS: 2835 Lb (1276 Kg)



BOP ASSEMBLY, DOUBLE RAM
 SINGLE DRILLED
 BUX WORKOVER
 7 1/16-5000 PSI MWP
 API 16A T-20/250 PDC 02 07 05 22

7050200-0